

PALISADE FENCING

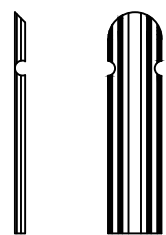
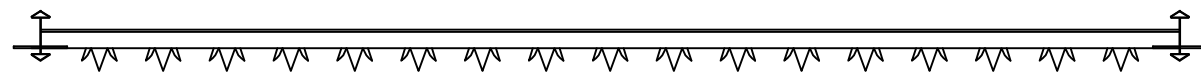
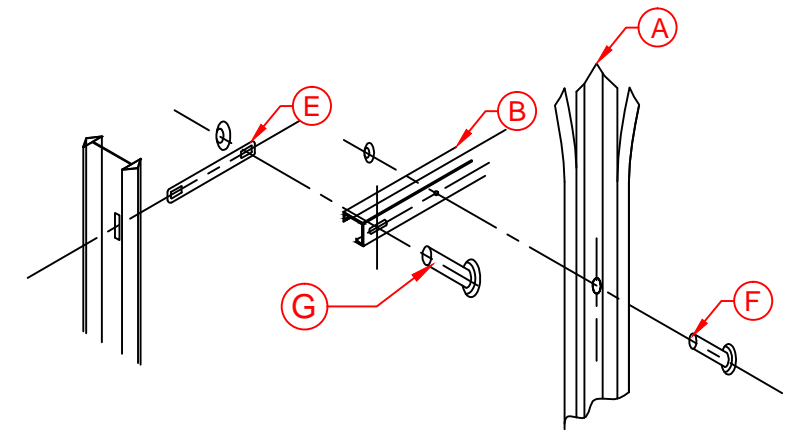
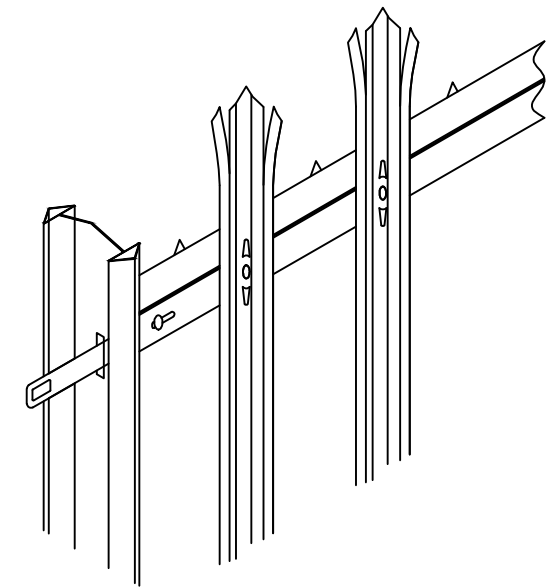
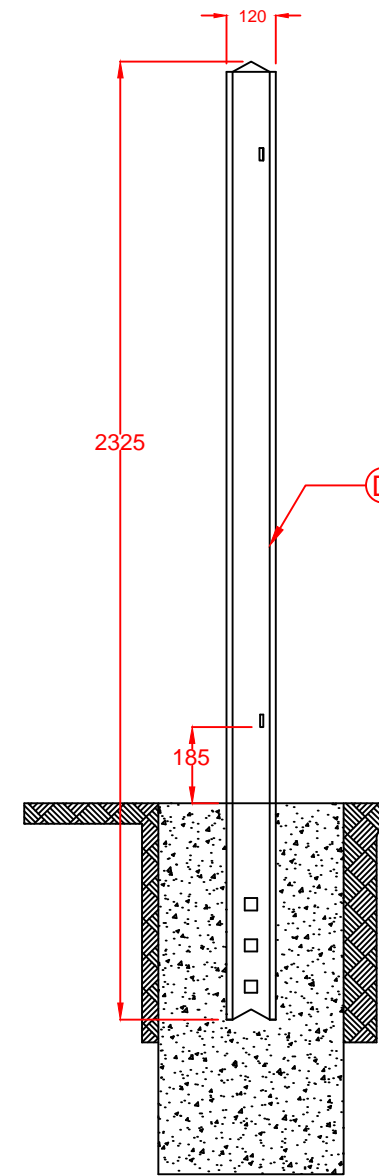
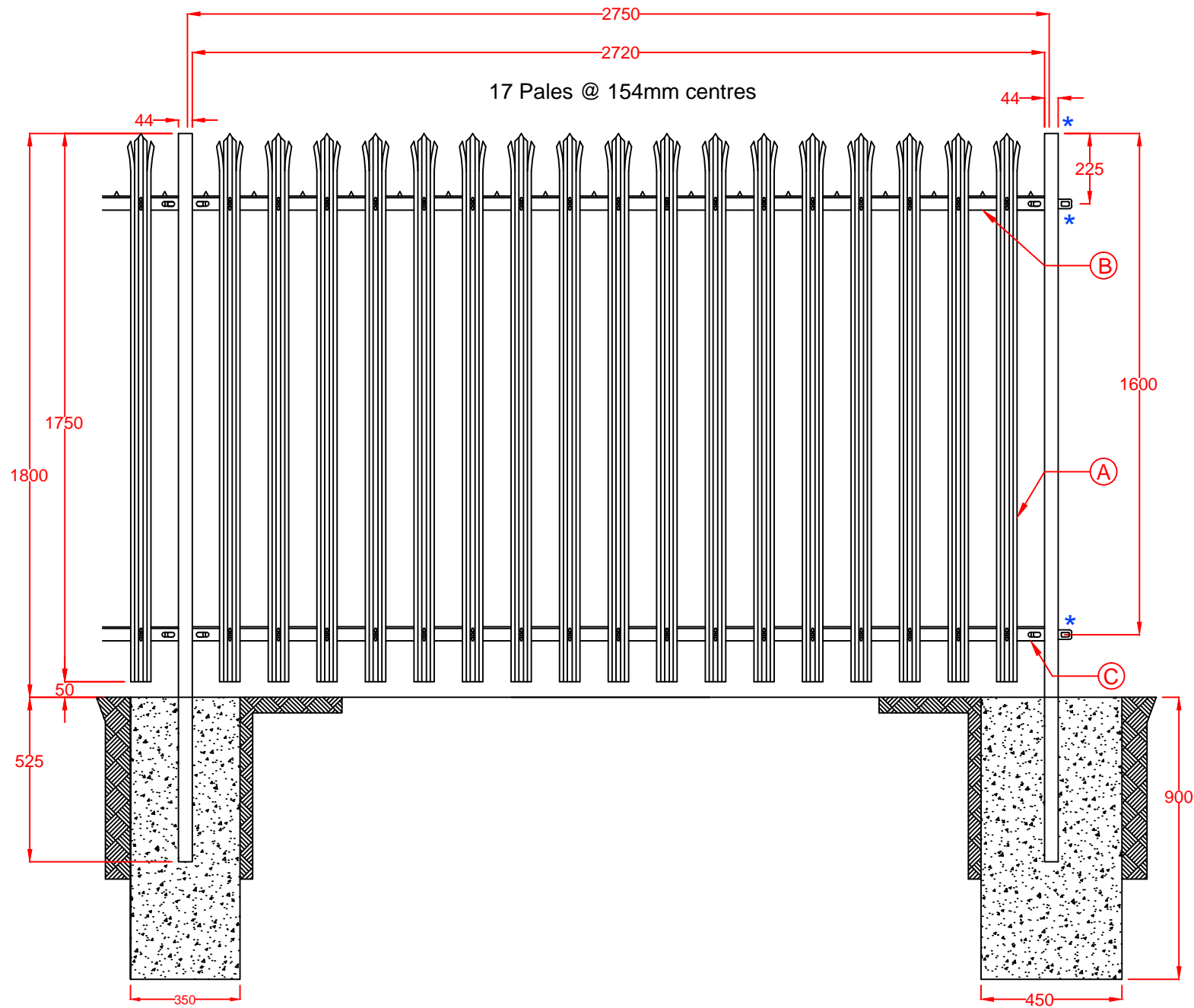
1800MM HIGH PALISADE FENCING
2000MM HIGH PALISADE FENCING
2100MM HIGH PALISADE FENCING
2400MM HIGH PALISADE FENCING
3000MM HIGH PALISADE FENCING

DO NOT SCALE DRAWINGS

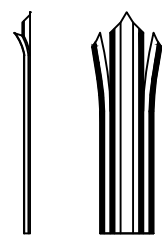


ISO 14001:2015
ISO 22301:2012
ISO 27001:2013
ISO 9001:2015
BS 18001:2007





ROUND & NOTCHED



TRIPLE - POINTED

Part	Component	Qty	Dimensions
A	W Section Pale	17	1750 x 65
B	Top Rail	1	2720 x 45
C	Bottom Rail	1	2720 x 45
D	Post *	1	2325 x 120 x 44
E	Fish Plates *	2	130 x 30
F	Pale Fixing M8 x 25mm Bolt + Snap Off Nut	34	
G	Rail Fixing M12 x 30mm Bolt + Snap Off Nut	4	

* ITEMS NOT INCLUDED AS PART OF SALEABLE KIT. ITEMS INCLUDED WITH SALEABLE KIT ARE INDICATED IN COMPONENT BOX ABOVE. DRAWING FOR ILLUSTRATION PURPOSES ONLY.

DRAWING NO: 801

DRAWN BY: SATYA

SCALE: 420X297@A3

ALL DIMENSIONS ARE IN MM

TITLE: 1800MM HIGH
PALISADE FENCING

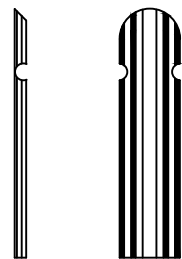
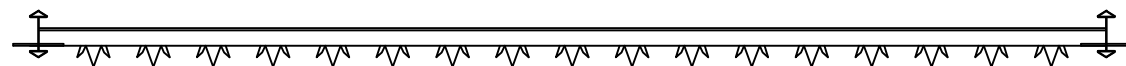
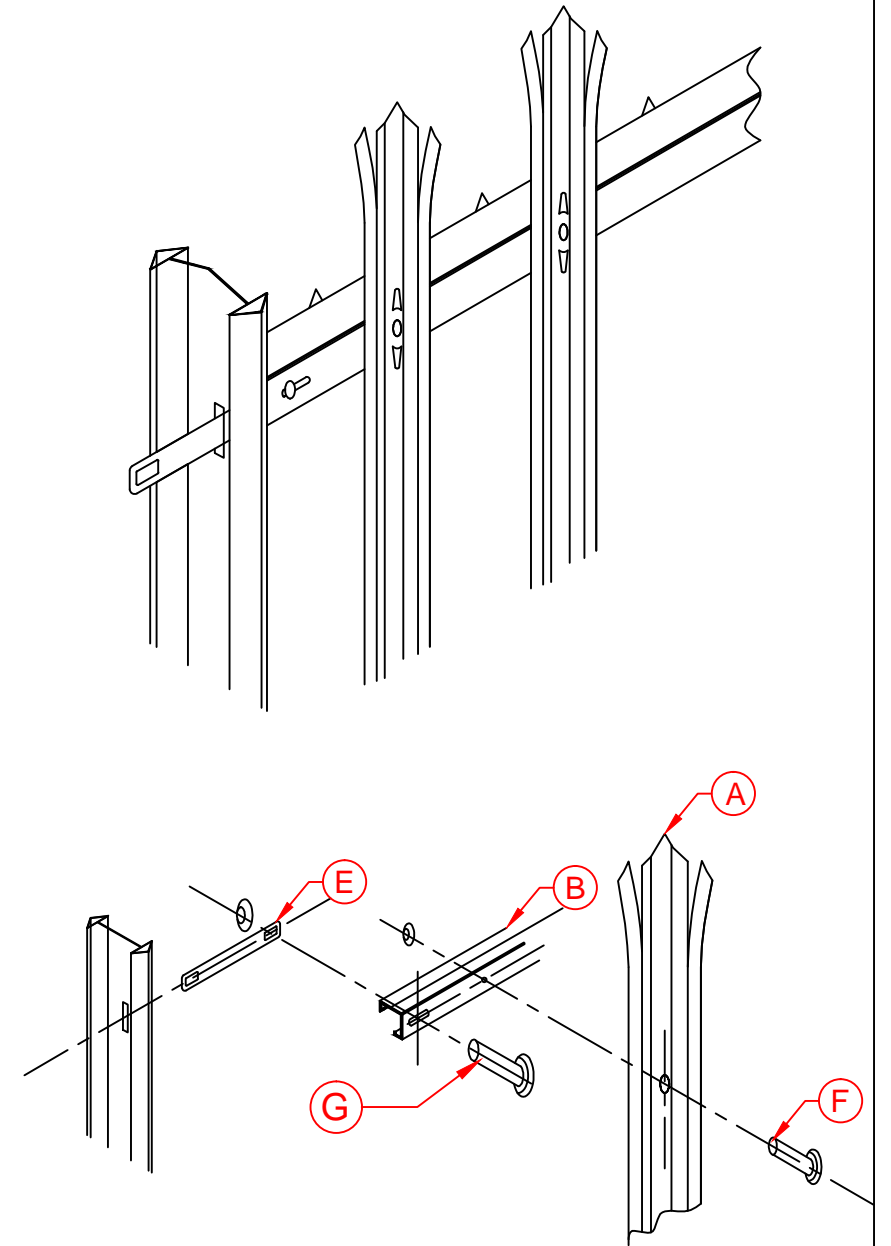
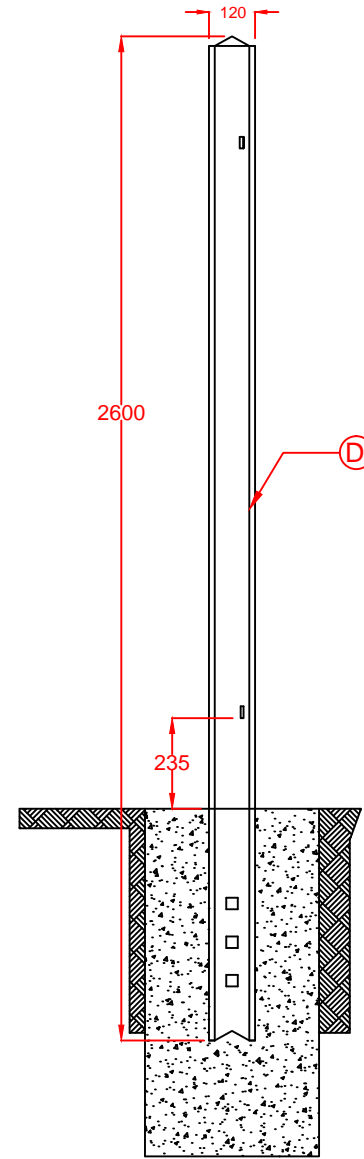
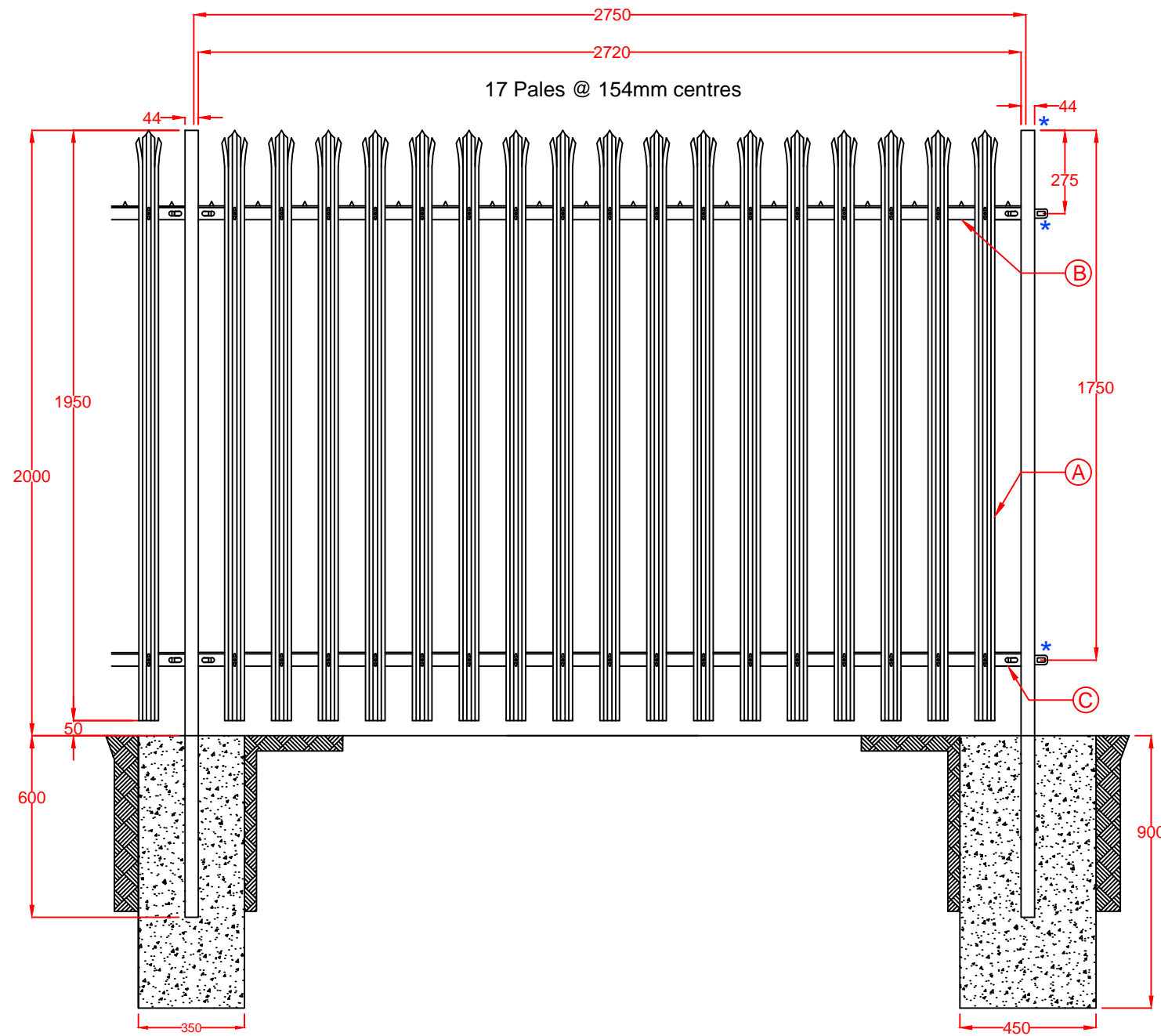
DATE: 23/06/2015

SHEET: 1

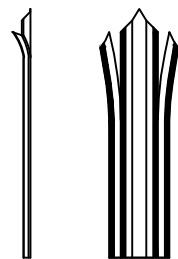


Kiln Way, Swadlincote, Derbyshire, DE11 8EA
Tel: 01283 512 111 Fax: 01283 480 552
sales@firstfence.co.uk www.firstfence.co.uk

NOTE: ■ THIS DRAWING IS NOT TO BE SCALED - FIGURED DIMENSIONS ONLY TO BE TAKEN
■ SHOULD ANY DISCREPANCIES BE FOUND WITH THIS DRAWING, PLEASE INFORM FIRST FENCE
■ COPYRIGHT OF THIS DRAWING IS OWNED BY FIRST FENCE LIMITED




ROUND & NOTCHED

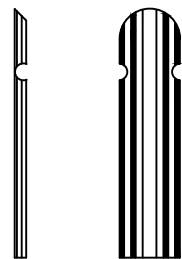
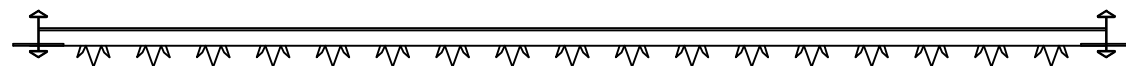
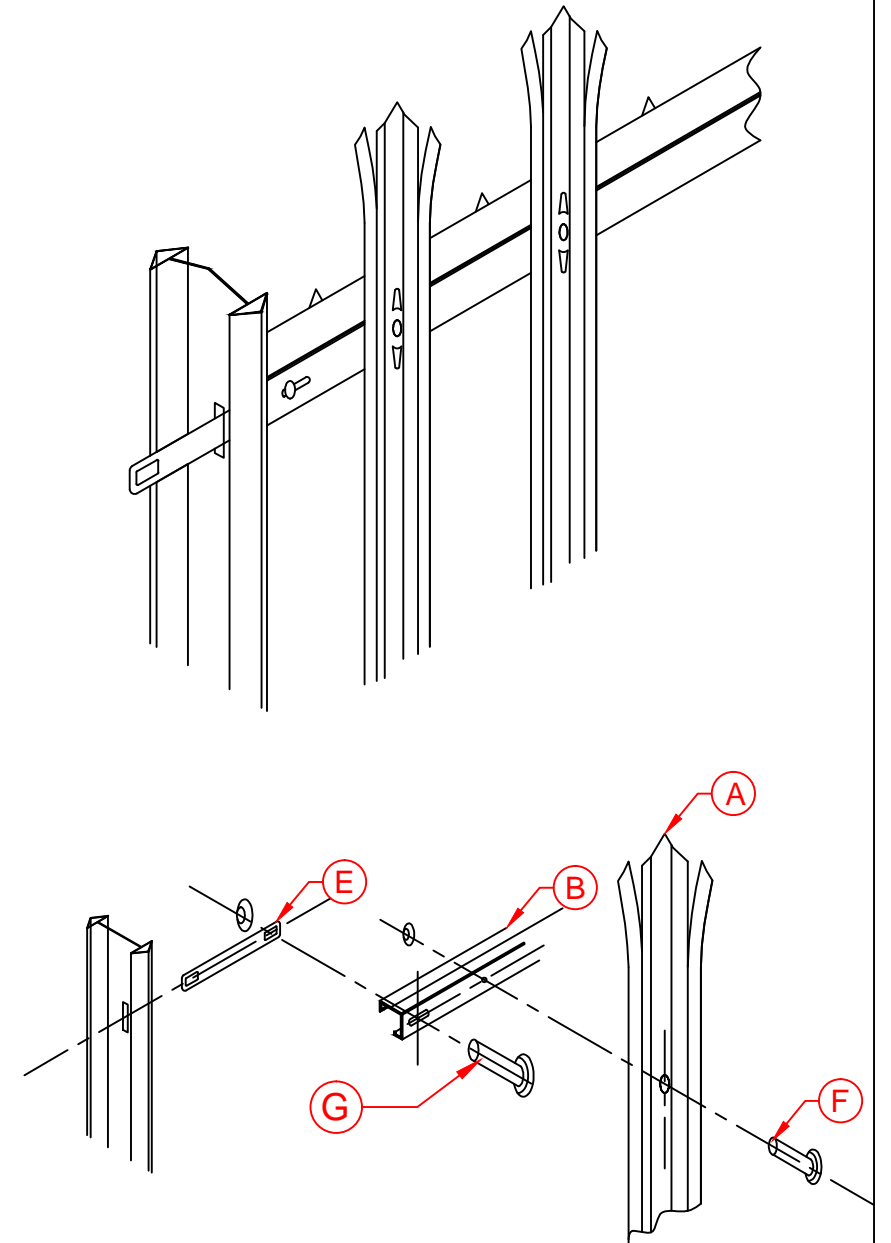
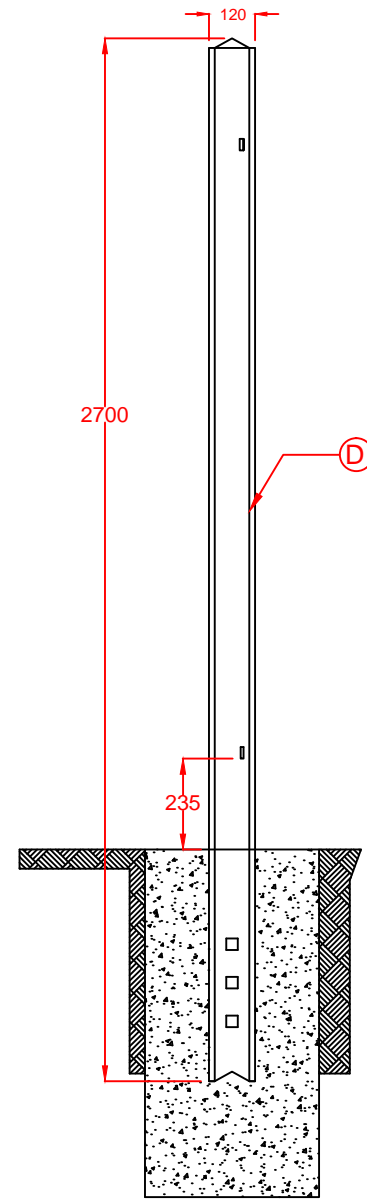
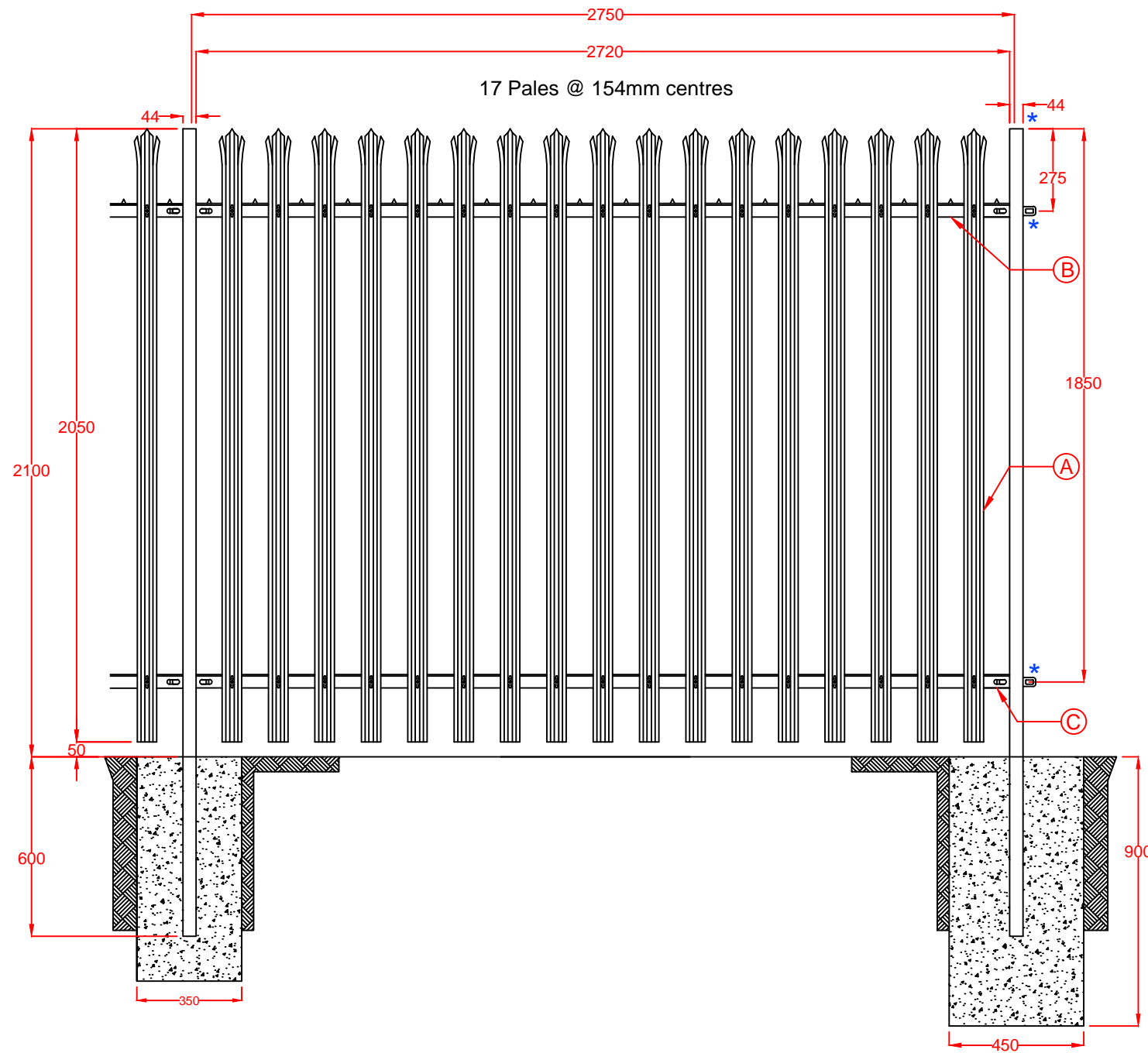


TRIPLE - POINTED

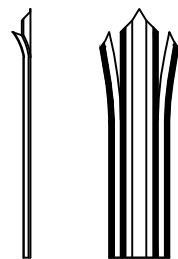
Part	Component	Qty	Dimensions
A	W Section Pale	17	1950 x 65
B	Top Rail	1	2720 x 45
C	Bottom Rail	1	2720 x 45
D	Post *	1	2600 x 120 x 44
E	Fish Plates *	2	130 x 30
F	Pale Fixing M8 x 25mm Bolt + Snap Off Nut	34	
G	Rail Fixing M12 x 30mm Bolt + Snap Off Nut	4	

* ITEMS NOT INCLUDED AS PART OF SALEABLE KIT. ITEMS INCLUDED WITH SALEABLE KIT ARE INDICATED IN COMPONENT BOX ABOVE. DRAWING FOR ILLUSTRATION PURPOSES ONLY.

DRAWING NO: 802	TITLE: 2000MM HIGH PALISADE FENCING
DRAWN BY: SATYA	DATE: 23/06/2015
SCALE: 420X297@A3	SHEET: 2
ALL DIMENSIONS ARE IN MM	
 Kiln Way, Swadlincote, Derbyshire, DE11 8EA Tel: 01283 512 111 Fax: 01283 480 552 sales@firstfence.co.uk www.firstfence.co.uk	
NOTE: <ul style="list-style-type: none"> ■ THIS DRAWING IS NOT TO BE SCALED - FIGURED DIMENSIONS ONLY TO BE TAKEN ■ SHOULD ANY DISCREPANCIES BE FOUND WITH THIS DRAWING, PLEASE INFORM FIRST FENCE ■ COPYRIGHT OF THIS DRAWING IS OWNED BY FIRST FENCE LIMITED 	



ROUND &
NOTCHED



TRIPLE - POINTED

Part	Component	Qty	Dimensions
A	W Section Pale	17	2050 x 65
B	Top Rail	1	2720 x 45
C	Bottom Rail	1	2720 x 45
D	Post *	1	2700 x 120 x 44
E	Fish Plates *	2	130 x 30
F	Pale Fixing M8 x 25mm Bolt + Snap Off Nut	34	
G	Rail Fixing M12 x 30mm Bolt + Snap Off Nut	4	

* ITEMS NOT INCLUDED AS PART OF SALEABLE KIT. ITEMS INCLUDED WITH SALEABLE KIT ARE INDICATED IN COMPONENT BOX ABOVE. DRAWING FOR ILLUSTRATION PURPOSES ONLY.

DRAWING NO: 803
TITLE: 2100MM HIGH PALISADE FENCING

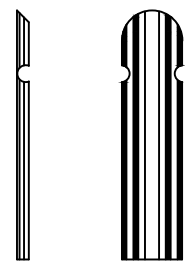
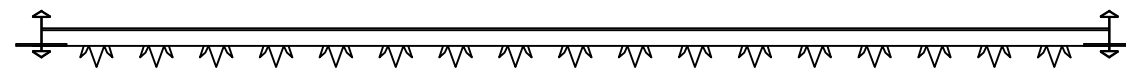
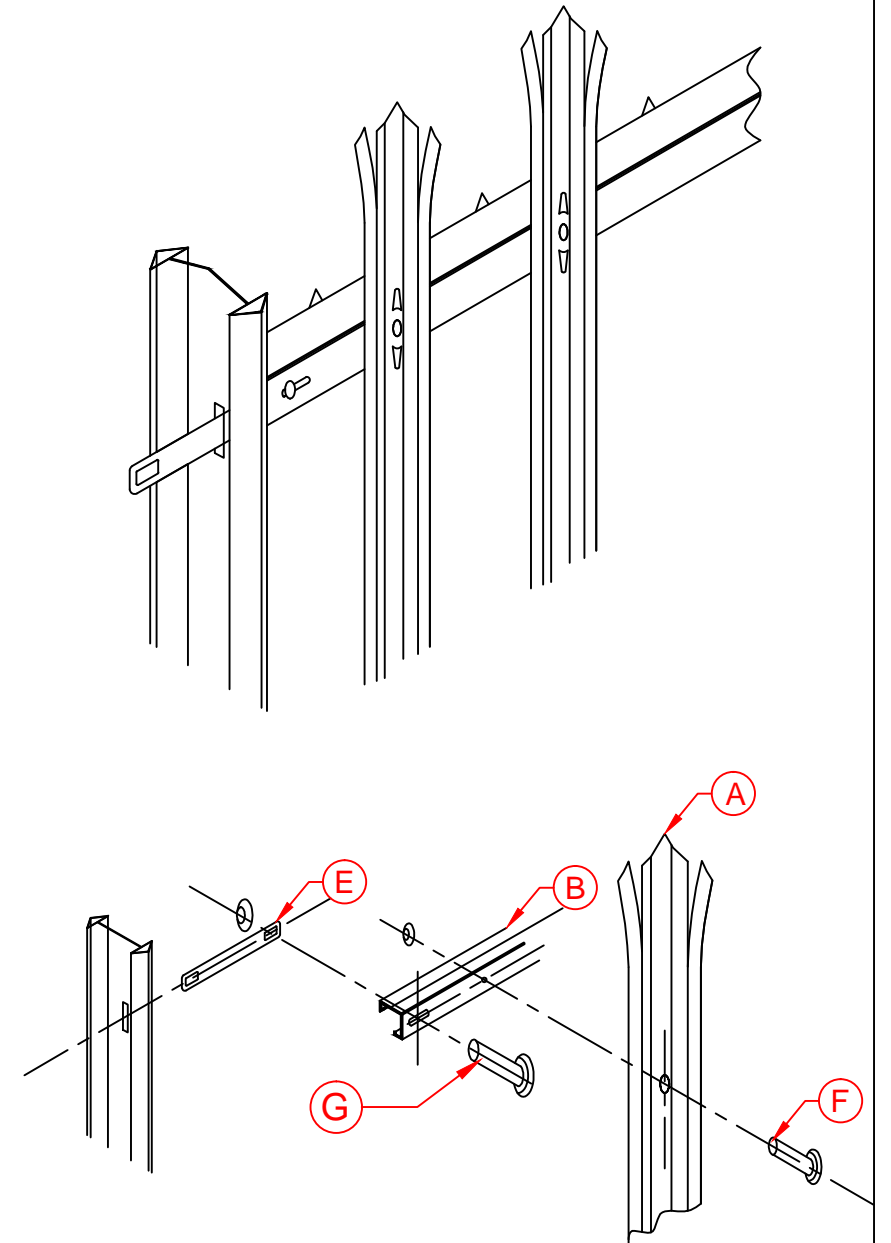
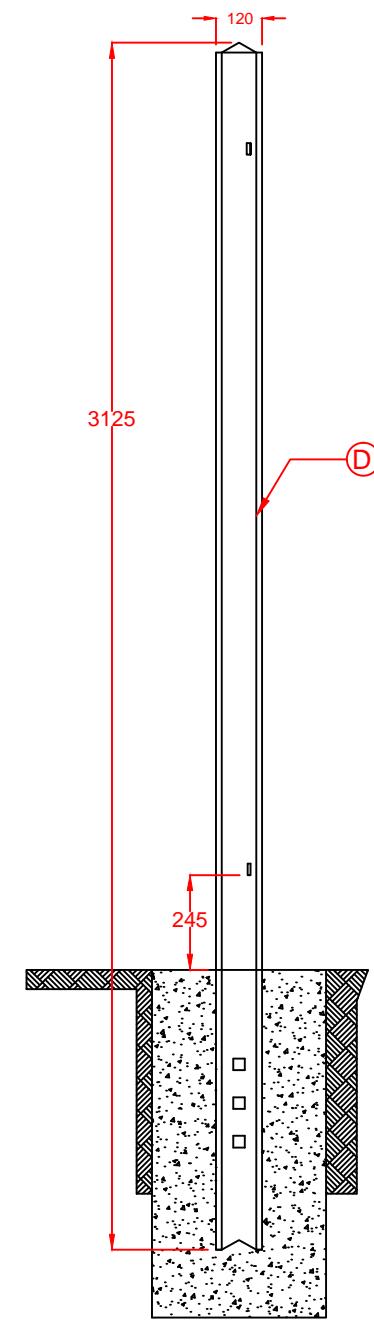
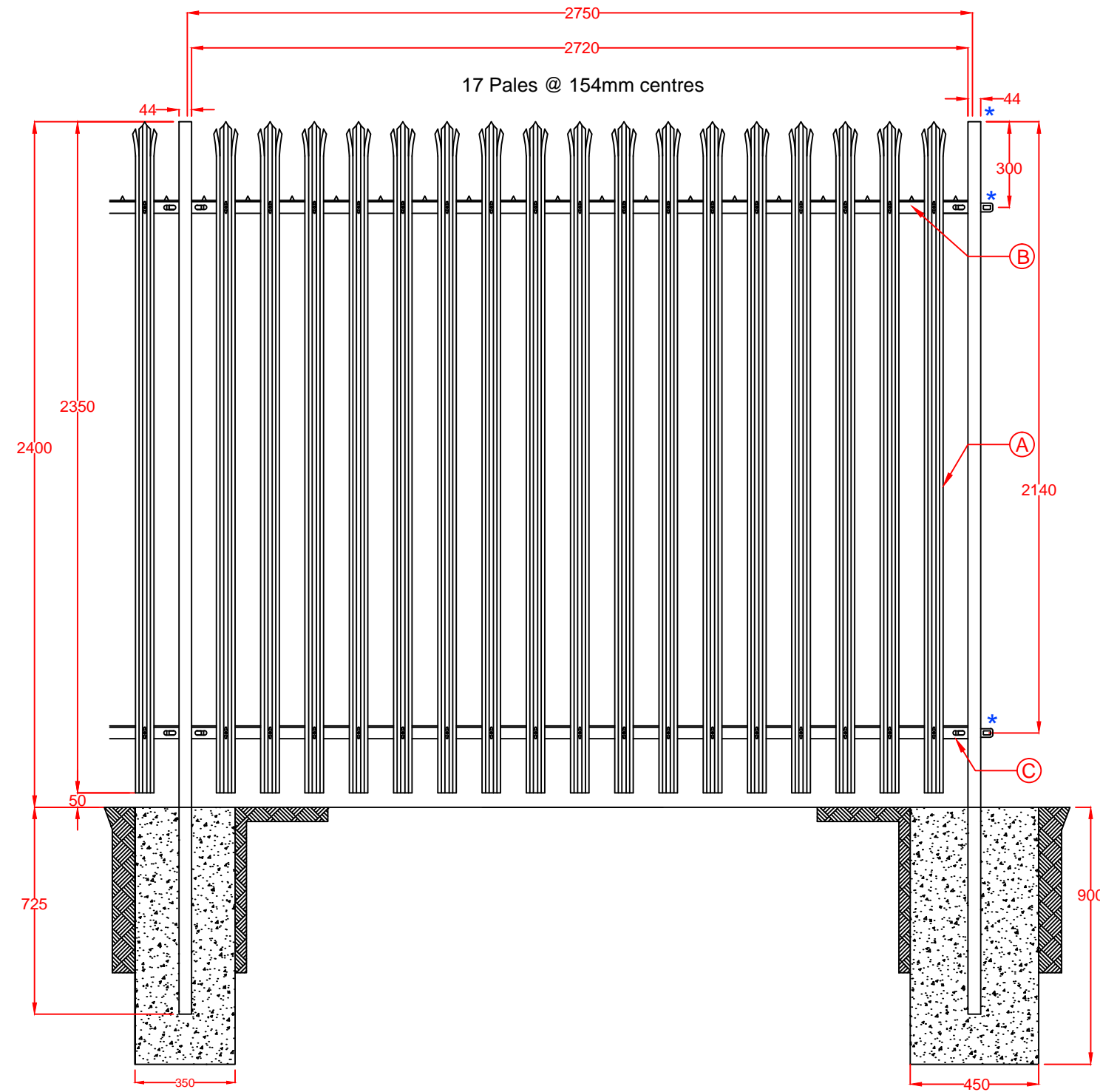
DRAWN BY: SATYA
DATE: 23/06/2015

SCALE: 420X297@A3
SHEET: 3
ALL DIMENSIONS ARE IN MM

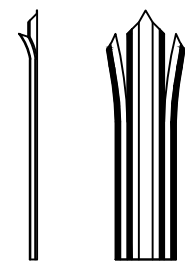


Kiln Way, Swadlincote, Derbyshire, DE11 8EA
Tel: 01283 512 111 Fax: 01283 480 552
sales@firstfence.co.uk www.firstfence.co.uk

NOTE: ■ THIS DRAWING IS NOT TO BE SCALED - FIGURED DIMENSIONS ONLY TO BE TAKEN
■ SHOULD ANY DISCREPANCIES BE FOUND WITH THIS DRAWING, PLEASE INFORM FIRST FENCE
■ COPYRIGHT OF THIS DRAWING IS OWNED BY FIRST FENCE LIMITED



ROUND & NOTCHED

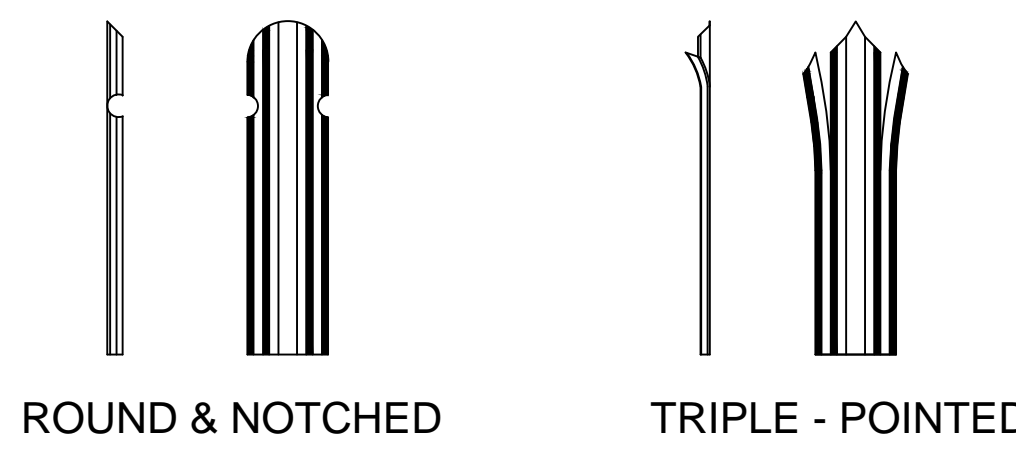
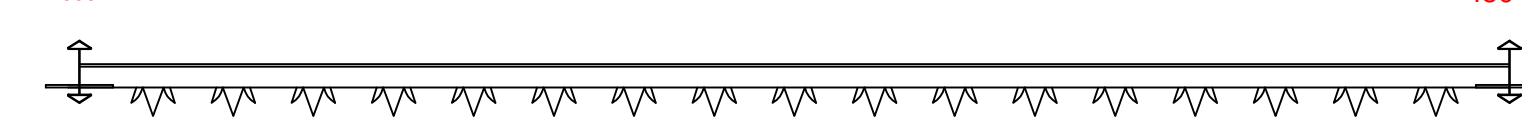
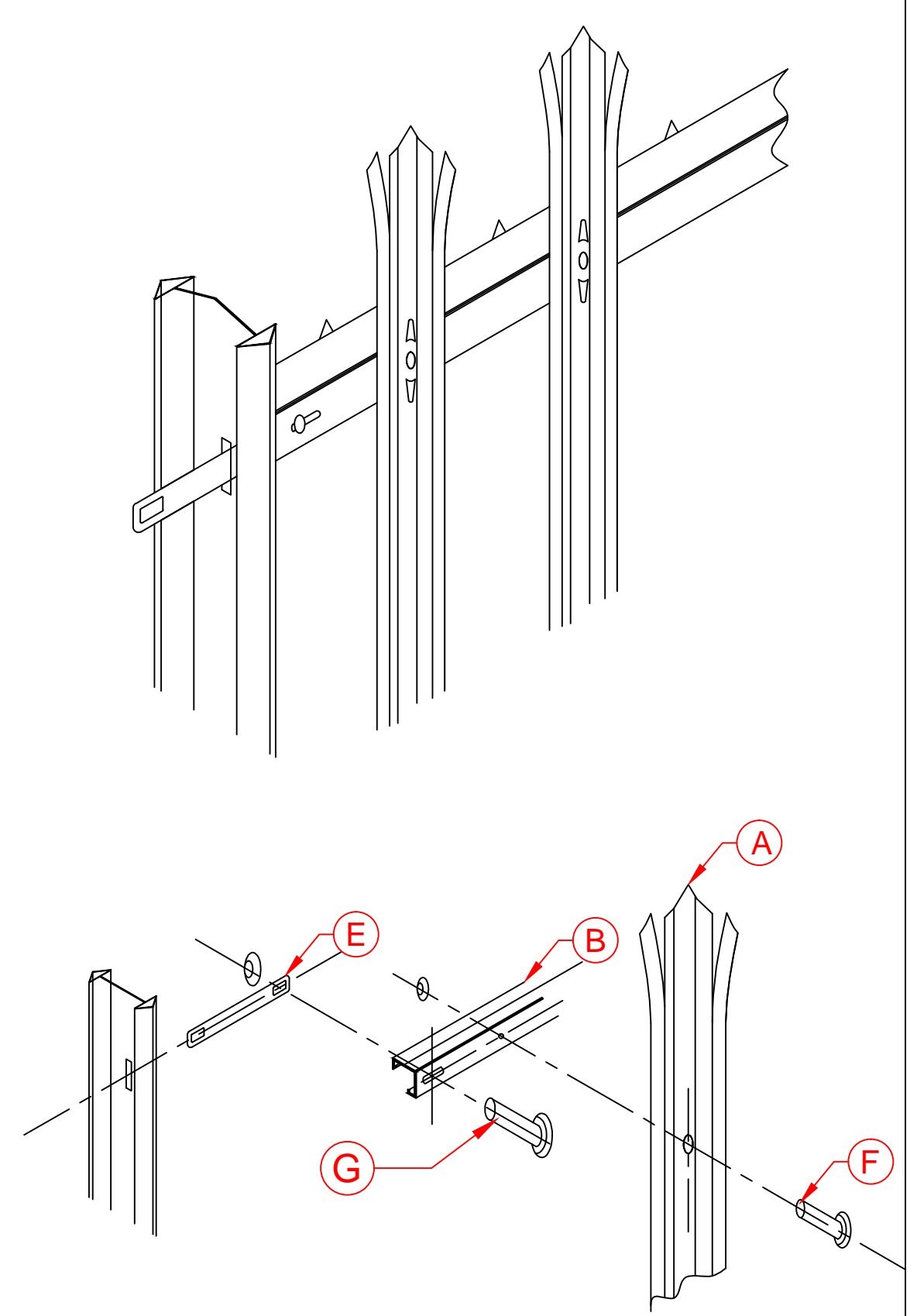
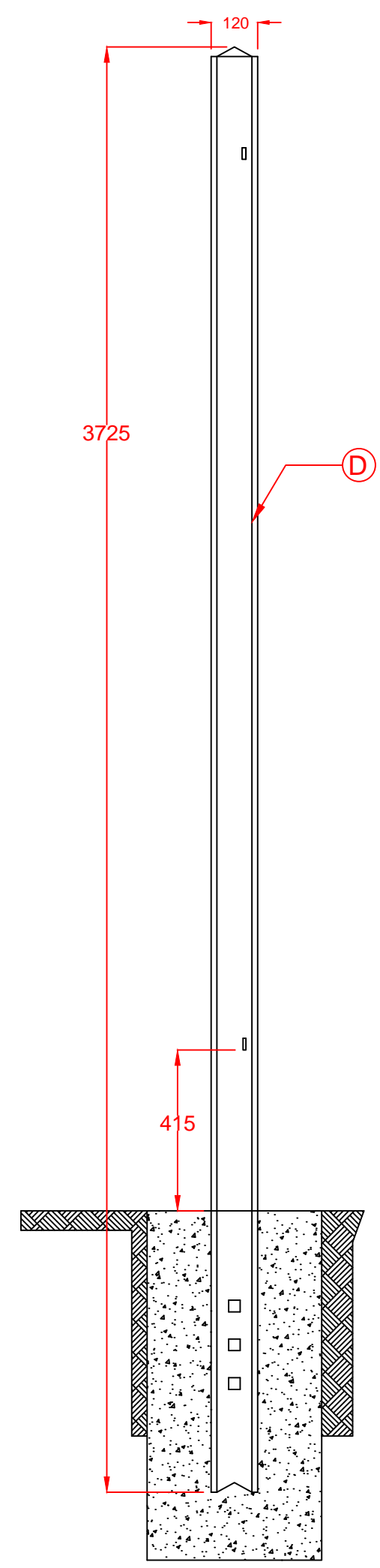
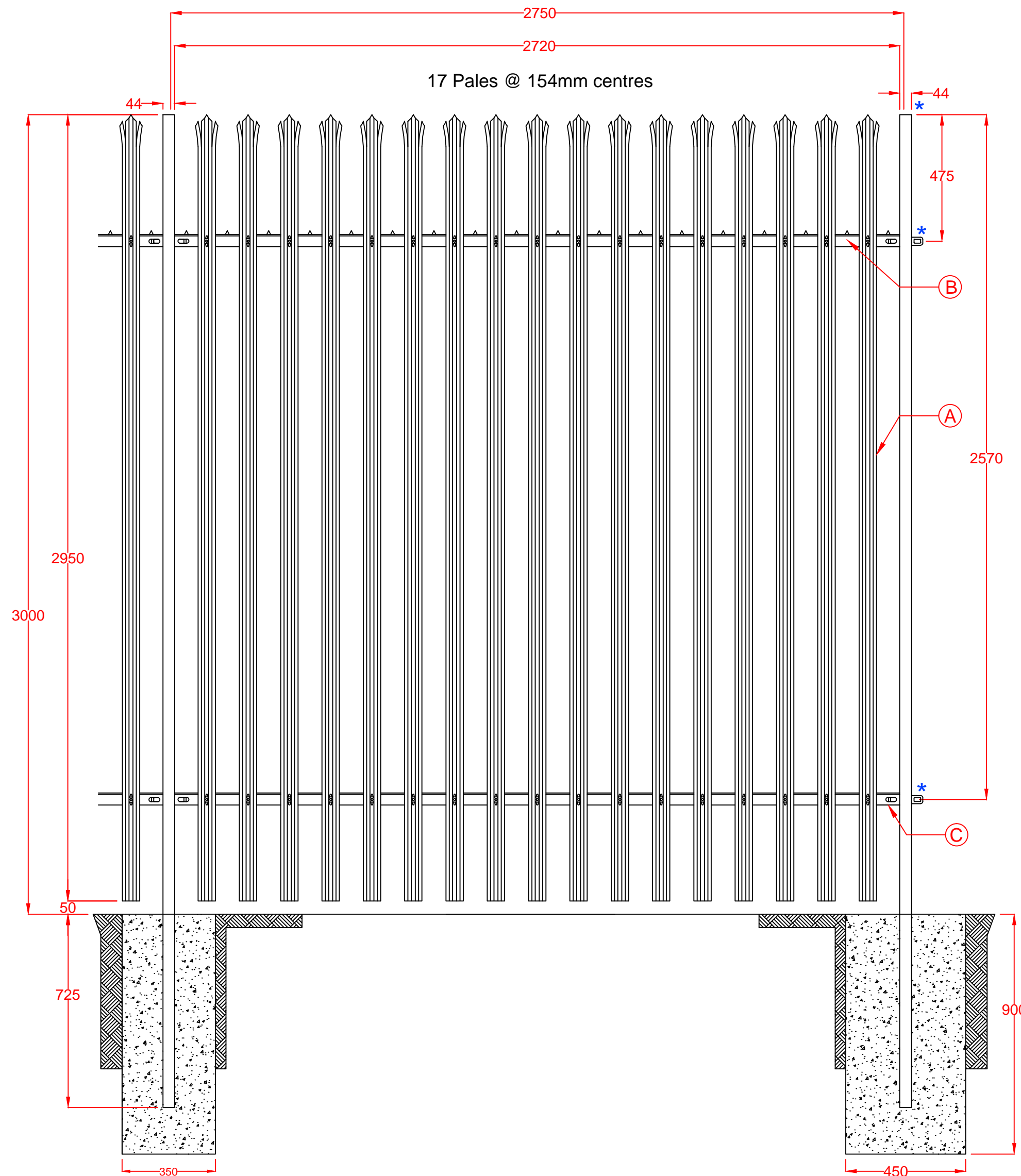


TRIPLE - POINTED

Part	Component	Qty	Dimensions
A	W Section Pale	17	2350 x 65
B	Top Rail	1	2720 x 45
C	Bottom Rail	1	2720 x 45
D	Post *	1	3125 x 120 x 44
E	Fish Plates *	2	130 x 30
F	Pale Fixing M8 x 25mm Bolt + Snap Off Nut	34	
G	Rail Fixing M12 x 30mm Bolt + Snap Off Nut	4	

* ITEMS NOT INCLUDED AS PART OF SALEABLE KIT. ITEMS INCLUDED WITH SALEABLE KIT ARE INDICATED IN COMPONENT BOX ABOVE. DRAWING FOR ILLUSTRATION PURPOSES ONLY.

DRAWING NO: 804	TITLE: 2400MM HIGH PALISADE FENCING
DRAWN BY: SATYA	DATE: 23/06/2015
SCALE: 420X297@A3	SHEET: 4
ALL DIMENSIONS ARE IN MM	
Kiln Way, Swadlincote, Derbyshire, DE11 8EA Tel: 01283 512 111 Fax: 01283 480 552 sales@firstfence.co.uk www.firstfence.co.uk	
NOTE: <ul style="list-style-type: none"> THIS DRAWING IS NOT TO BE SCALED - FIGURED DIMENSIONS ONLY TO BE TAKEN SHOULD ANY DISCREPANCIES BE FOUND WITH THIS DRAWING, PLEASE INFORM FIRST FENCE COPYRIGHT OF THIS DRAWING IS OWNED BY FIRST FENCE LIMITED 	



Part	Component	Qty	Dimensions
A	W Section Pale	17	2950 x 65
B	Top Rail	1	2720 x 45
C	Bottom Rail	1	2720 x 45
D	Post *	1	3725 x 120 x 44
E	Fish Plates *	2	130 x 30
F	Pale Fixing M8 x 25mm Bolt + Snap Off Nut	34	
G	Rail Fixing M12 x 30mm Bolt + Snap Off Nut	4	

DRAWING NO: 805 TITLE: 3000MM HIGH PALISADE FENCING

DRAWN BY: SATYA DATE: 23/06/2015

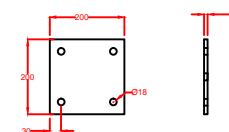
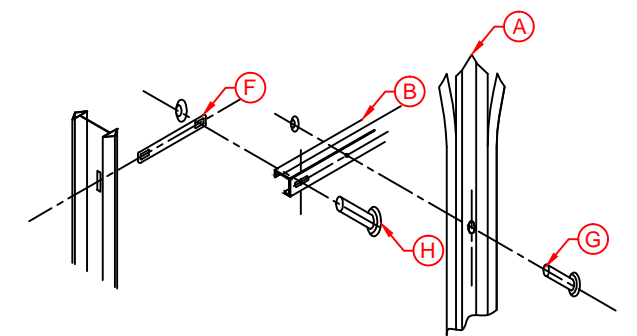
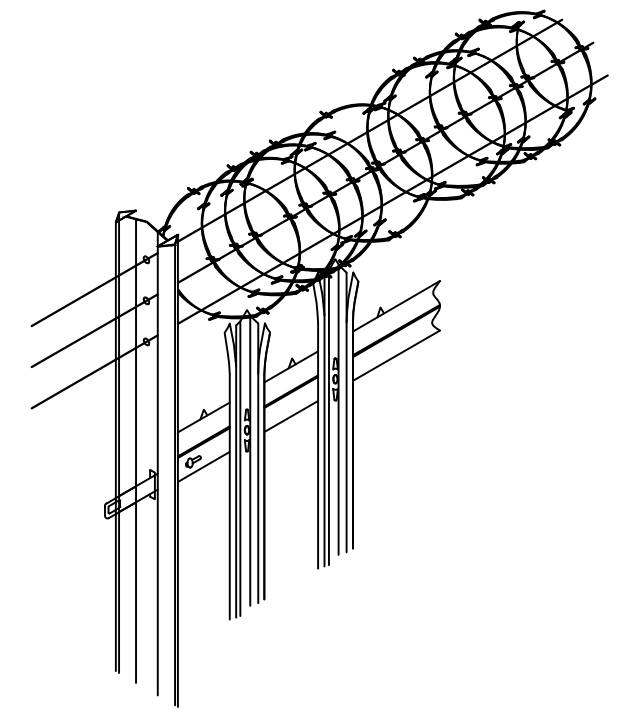
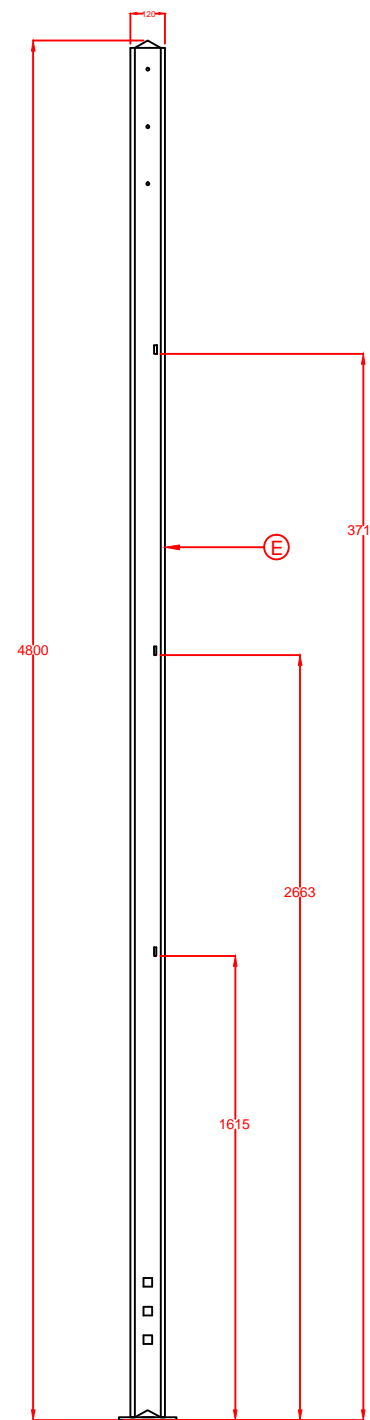
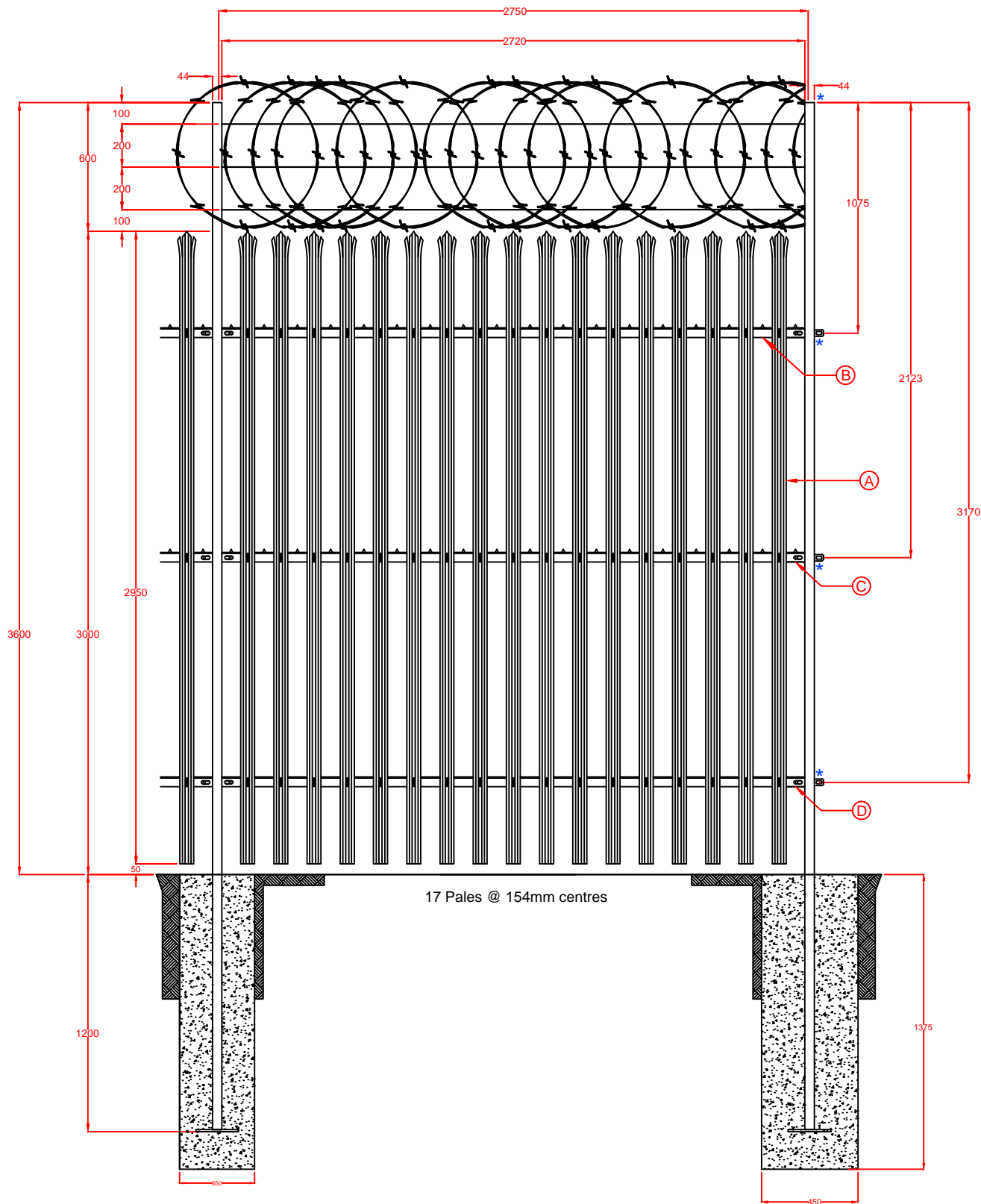
SCALE: 420X297@A3 SHEET: 5

ALL DIMENSIONS ARE IN MM

FirstFence Kiln Way, Swadlincote, Derbyshire, DE11 8EA
 Tel: 01283 512 111 Fax: 01283 480 552
 sales@firstfence.co.uk www.firstfence.co.uk

* ITEMS NOT INCLUDED AS PART OF SALEABLE KIT. ITEMS INCLUDED WITH SALEABLE KIT ARE INDICATED IN COMPONENT BOX ABOVE. DRAWING FOR ILLUSTRATION PURPOSES ONLY.

NOTE: ■ THIS DRAWING IS NOT TO BE SCALED - FIGURED DIMENSIONS ONLY TO BE TAKEN
 ■ SHOULD ANY DISCREPANCIES BE FOUND WITH THIS DRAWING, PLEASE INFORM FIRST FENCE
 ■ COPYRIGHT OF THIS DRAWING IS OWNED BY FIRST FENCE LIMITED



Part	Component	Qty	Dimensions	DRAWING NO: 806	TITLE: 3000MM HIGH PALISADE FENCING
A	W Section Pale	17	2950 x 65 x 3	DRAWN BY: SATYA	DATE: 25/11/2015
B	Top Rail	1	2720 x 45		
C	Middle Rail	1	2720 x 45	SCALE: 420X297@A3	SHEET: 6
D	Bottom Rail	1	2720 x 45		
E	Post *	1	2325 x 120 x 44	ALL DIMENSIONS ARE IN MM	
F	Fish Plates *	3	130 x 30	Kiln Way, Swadlincote, Derbyshire, DE11 8EA Tel: 01283 512 111 Fax: 01283 480 552 sales@firstfence.co.uk www.firstfence.co.uk	
G	Pale Fixing M8 x 25mm Bolt + Snap Off Nut	51			
H	Rail Fixing M12 x 30mm Bolt + Snap Off Nut	6			
* ITEMS NOT INCLUDED AS PART OF SALEABLE KIT. ITEMS INCLUDED WITH SALEABLE KIT ARE INDICATED IN COMPONENT BOX ABOVE. DRAWING FOR ILLUSTRATION PURPOSES ONLY.				NOTE: ■ THIS DRAWING IS NOT TO BE SCALED - FIGURED DIMENSIONS ONLY TO BE TAKEN ■ SHOULD ANY DISCREPANCIES BE FOUND WITH THIS DRAWING, PLEASE INFORM FIRST FENCE ■ COPYRIGHT OF THIS DRAWING IS OWNED BY FIRST FENCE LIMITED	